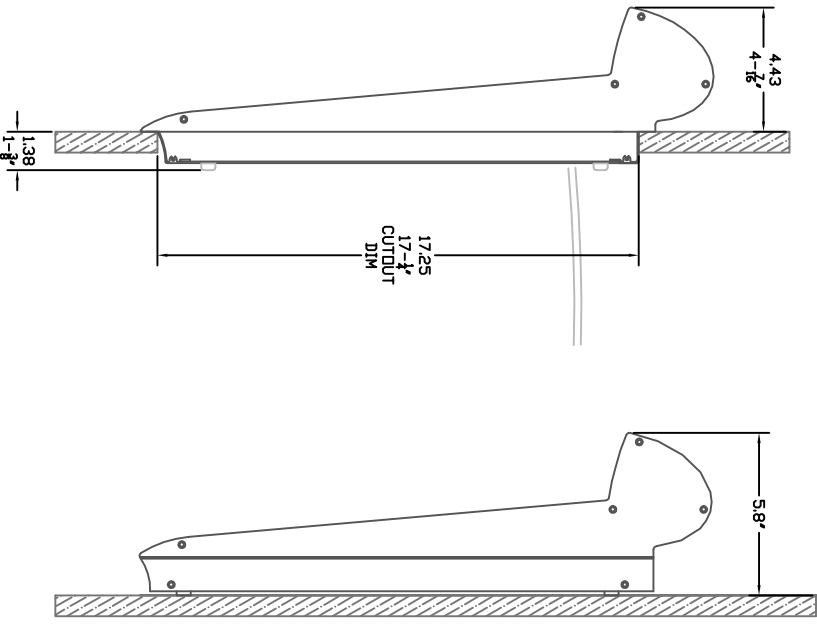
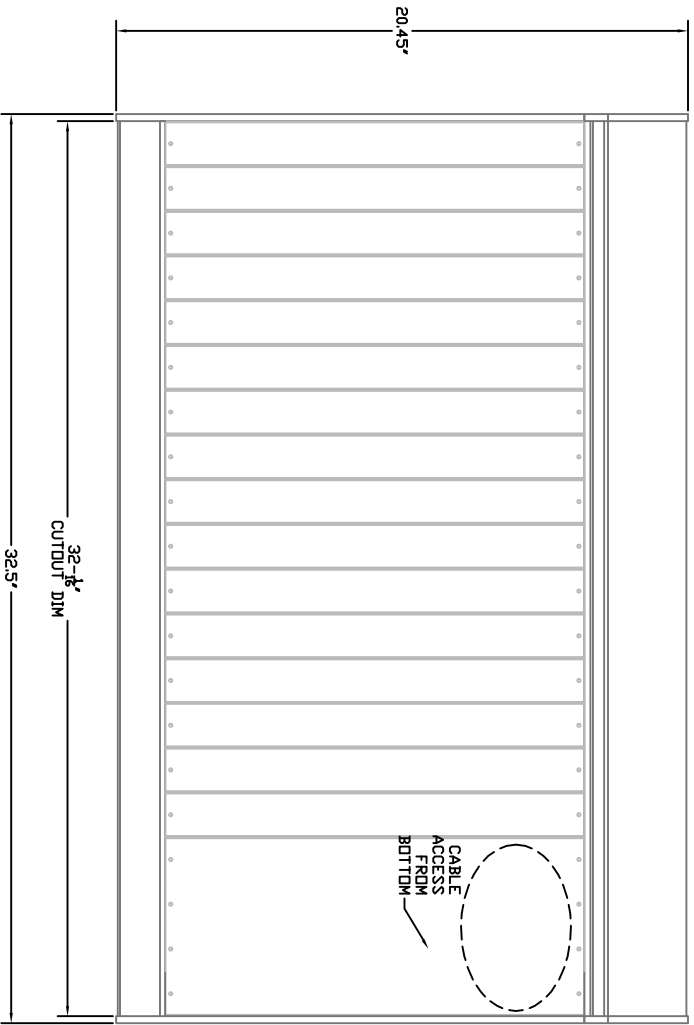


REVISIONS	
DATE	DESCRIPTION



MODEL	CUTOUT DIM
M12	W19.25 X D17.25
M20	W32.06 X D17.25
M28	W44.87 X D17.25

- NOTES:
1. CUTOUT DIMENSIONS ALLOW FOR VARIATIONS.
 2. DO NOT INCREASE WIDTH DIM (32-1/16" SHOWN)
 3. ENSURE OPENING IS SQUARE.
 4. CONSOLE MAY BE TABLE TOP OR CUT INTO DESK. REMOVE LOWER SIDE TO DROP INTO DESK CUTOUT.
 5. TO ACCESS CONNECTIONS LIFT FRONT, ROTATE ONTO REAR UNDER AREA SHOWN.
 6. CONNECT WIRES THRU DESK. MAKE ACCESS HOLE UNDER REAR EDGE OF CONSOLE TO EXISTING DESK WIRE ACCESS HOLE.

UNLESS OTHERWISE SPECIFIED
DIMENSIONS ARE IN INCHES

FOR DIMENSIONS SEE DRAWING ANGLES
1/16" DECIMALS
1/4" ANGLES
30°-45°-60°

DRAWN	EDF
CHECKED	
APPROVED	
DATE	11/09

SAS Sierra Automated Systems

SAS M CLASS CONSOLE OUTLINE DRAWING,
20 SLOT FRAME SHOWN

SHEET 1 OF 1

D SASMCDL