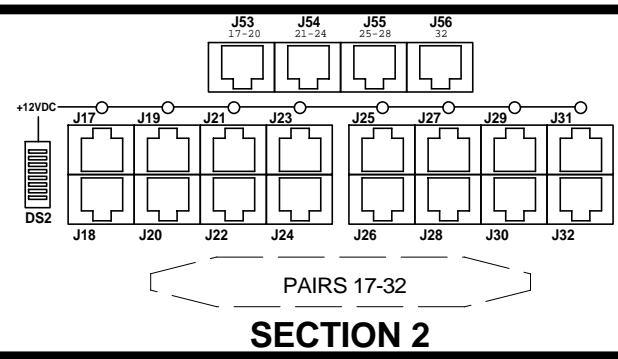


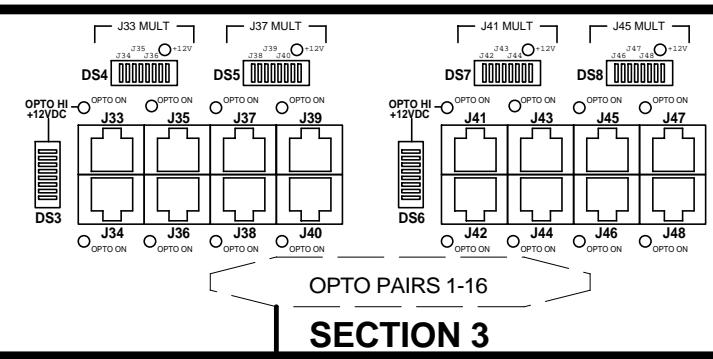
**SECTION 1**

SECTION 1 RJ21 supplies PAIRS 1-16  
(Mounted on backside)



**SECTION 2**

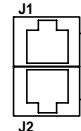
SECTION 1 description applies  
also to SECTION 2 PAIRS 17-32



**SECTION 3**

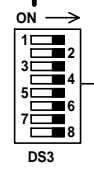
SECTION 3 RJ21 supplies OPTO PAIRS 1-16  
(Mounted on backside)

1. PAIR1+  
2. PAIR1-  
3. GND  
4. +12VDC via DS1-SW1  
5. +12VDC via DS1-SW1  
6. GND  
7. PAIR2+  
8. PAIR2-

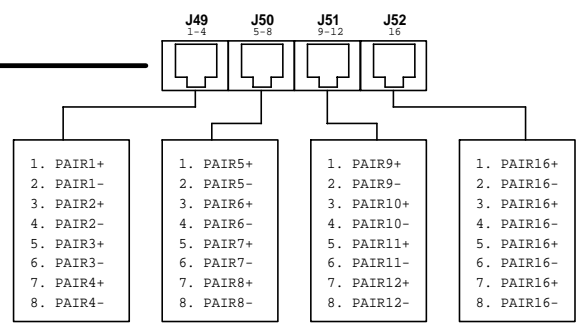


TYPICAL J1/J2 - J15/J16

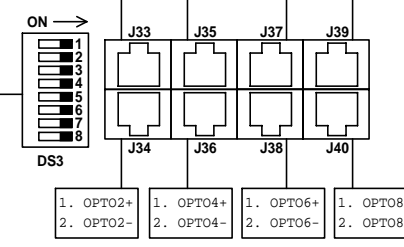
1. PAIR2+  
2. PAIR2-  
3. GND  
4. +12VDC via DS1-SW1  
5. +12VDC via DS1-SW1  
6. GND  
7. N/C  
8. N/C



1. ON: Connects +12VDC to J1/J2 pins 4 & 5 (lights column LED)  
2. ON: Connects +12VDC to J3/J4 pins 4 & 5 (lights column LED)  
3. ON: Connects +12VDC to J5/J6 pins 4 & 5 (lights column LED)  
4. ON: Connects +12VDC to J7/J8 pins 4 & 5 (lights column LED)  
5. ON: Connects +12VDC to J9/J10 pins 4 & 5 (lights column LED)  
6. ON: Connects +12VDC to J11/J12 pins 4 & 5 (lights column LED)  
7. ON: Connects +12VDC to J13/J14 pins 4 & 5 (lights column LED)  
8. ON: Connects +12VDC to J15/J16 pins 4 & 5 (lights column LED)



1. ON: Connects +12VDC to J33-pin 1  
2. ON: Connects +12VDC to J34-pin 1  
3. ON: Connects +12VDC to J35-pin 1  
4. ON: Connects +12VDC to J36-pin 1  
5. ON: Connects +12VDC to J37-pin 1  
6. ON: Connects +12VDC to J38-pin 1  
7. ON: Connects +12VDC to J39-pin 1  
8. ON: Connects +12VDC to J40-pin 1



**MULT FUNCTION**

The MULT function provides identical connectivity for a group of four RJ45s.  
Up to four groups are available:

- 1) J33-J36
- 2) J37-J40
- 3) J41-J44
- 4) J45-J48

The DIP Switch above a group controls connectivity for pins 1 & 2 and provides the option to connect the group's pins 4 & 5 to +12VDC. Using J33-J36 as an example:

- 1) DS4-SW1,2 = ON ON: Connects J33-pins 1,2 to J34-pins 1,2, respectively.
  - 2) DS4-SW3,4 = ON ON: Connects J33-pins 1,2 to J35-pins 1,2, respectively.
  - 3) DS4-SW5,6 = ON ON: Connects J33-pins 1,2 to J36-pins 1,2, respectively.
  - 4) DS4-SW7,8 = ON ON: Connects pins 4,5 (of J33-J36) to +12VDC and lights LED above DS4.
- Note: With DS4-SW7,8 = OFF OFF, J33-J36 pins 4 & 5 are all still connected together, but not connected to +12VDC.

The remaining pins of a group are connected as follows:

- 5) Pins 3 & 6 are hardwired to GND.
- 6) All pin 7's of a group are hardwired together.
- 7) All pin 8's of a group are hardwired together.

IMPORTANT: When using MULT function, keep associated OPTO function DIP switches (DS3 and/or DS6) in OFF position.

**OPTO FUNCTION**

OPTO PAIRS 1-8 are assigned to J33-J40 as shown at left.

To energize an OPTO:

- 1) Slide corresponding DIP switch to ON position, which applies +12VDC to pin 1 (OPTO+)
- 2) Connect pin 2 (OPTO-) to pin 3 and/or 6, which are GND (i.e. via relay)
- 3) Adjacent "OPTO ON" LED indicates OPTO is energized.

If desired, +12VDC can be connected to pins 4, 5 using DS4,5,7,8-SW7,8 as described in MULT section above.

Otherwise, DS4,5,7,8-SW1,2,3,4,5,6 must be in OFF position.

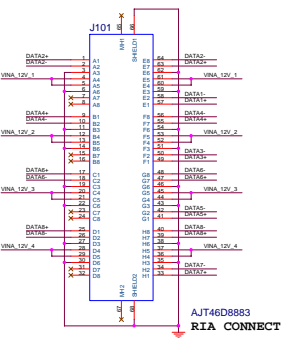
J33-J40/DS3 description applies also to J41-48/DS6 section OPTO PAIRS 9-16

Sierra Automated Systems & Engineering Corp.  
2625 San Fernando Blvd.  
Burbank, California 91504

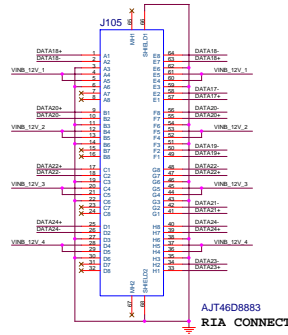
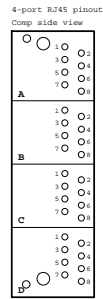
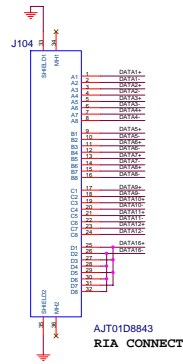
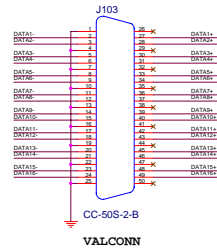
Title: **RM2116X3 Panel Description**

Size B Document Number Rev A

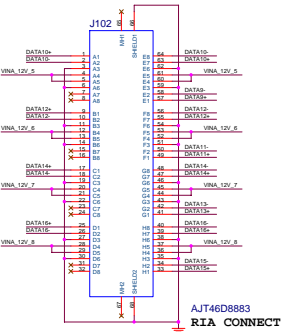
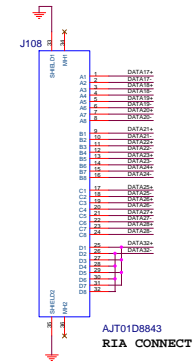
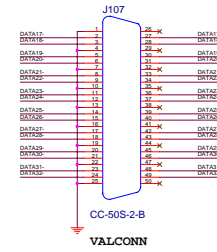
Date: Monday, June 16, 2008 Sheet 1 of 1



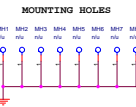
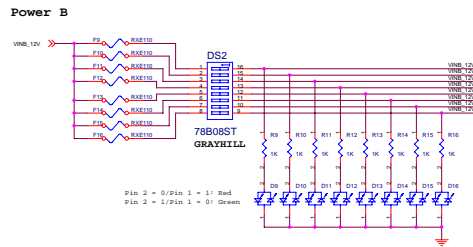
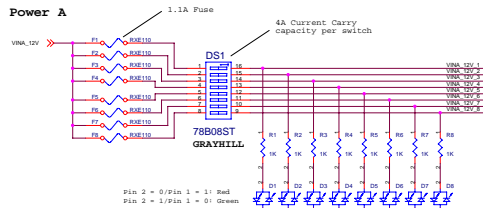
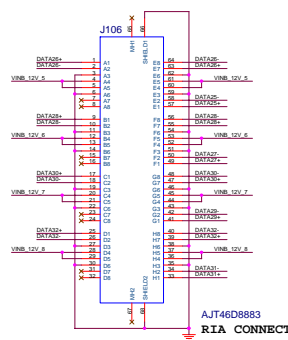
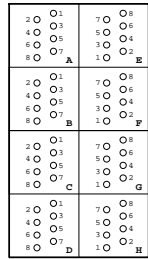
**DATA 1-16**



**DATA 17-32/RELAYS**



8-port RJ45 pinout  
Comp side view



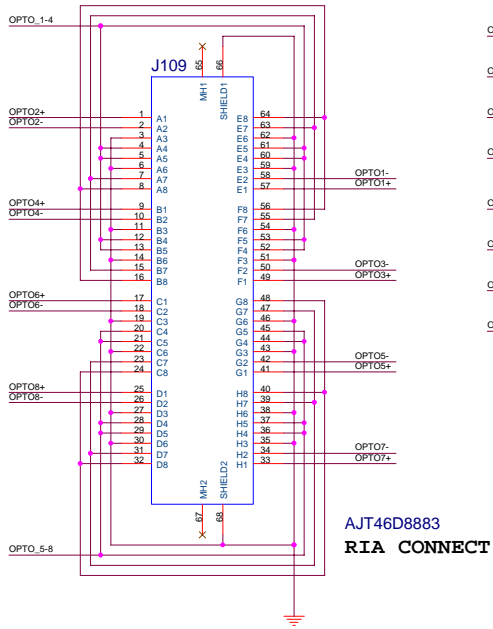
**NOTE:**

A second source for J1-J4 is VALCONN Part# TGS-Q-898C-1-P

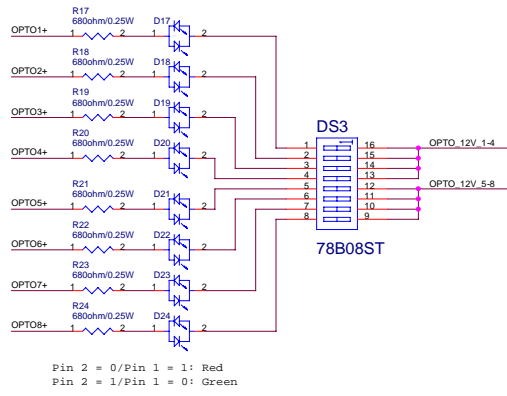
Sierra Automated Systems & Engineering Corp.  
3925 San Fernando Blvd  
Burbank, California 91504

Rev	<b>RM2116X3 Board</b>		Rev
D	Docu#	Number	A
Date	1/20/04	1/21/04	2

### OPTOS 1-8

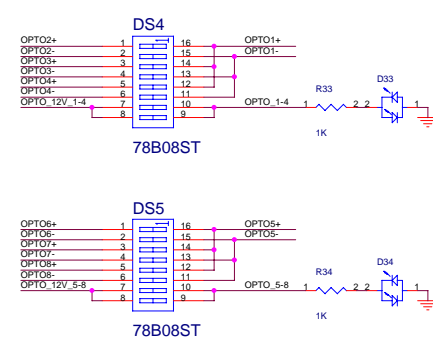


### OPTO FUNCTION

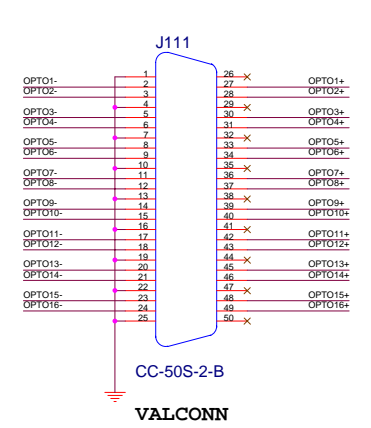


Pin 2 = 0 / Pin 1 = 1: Red  
Pin 2 = 1 / Pin 1 = 0: Green

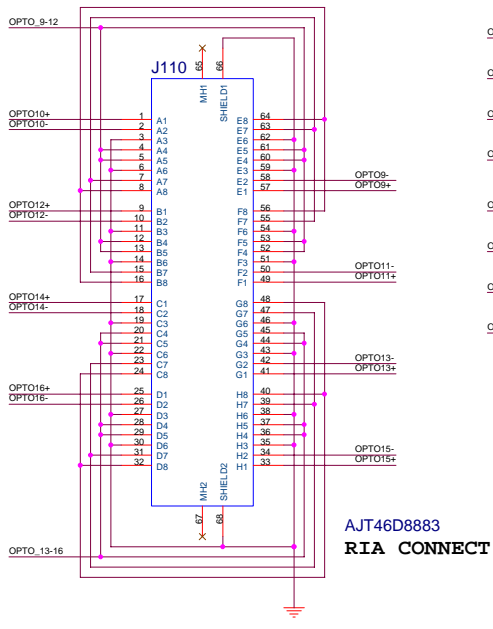
### MULT FUNCTION



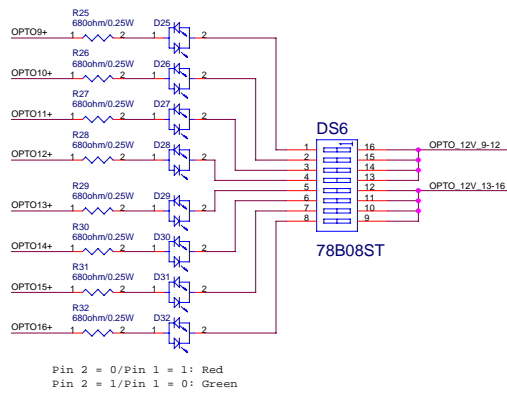
### OPTOS



### OPTOS 9-16

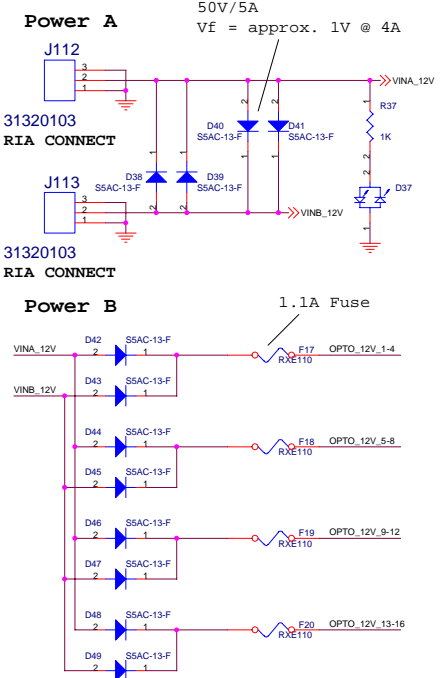
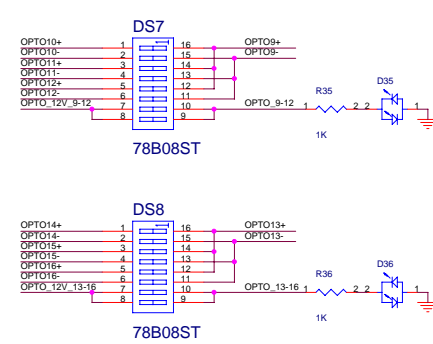


### OPTO FUNCTION



Pin 2 = 0 / Pin 1 = 1: Red  
Pin 2 = 1 / Pin 1 = 0: Green

### MULT FUNCTION



Sierra Automated Systems & Engineering Corp. 2625 San Fernando Blvd. Burbank, California 91504		
Title	RM2116X3 Board	
Size	Document Number	Rev
C		A
Date:	Tuesday, May 13, 2008	Sheet 2 of 2

GND\_PWR