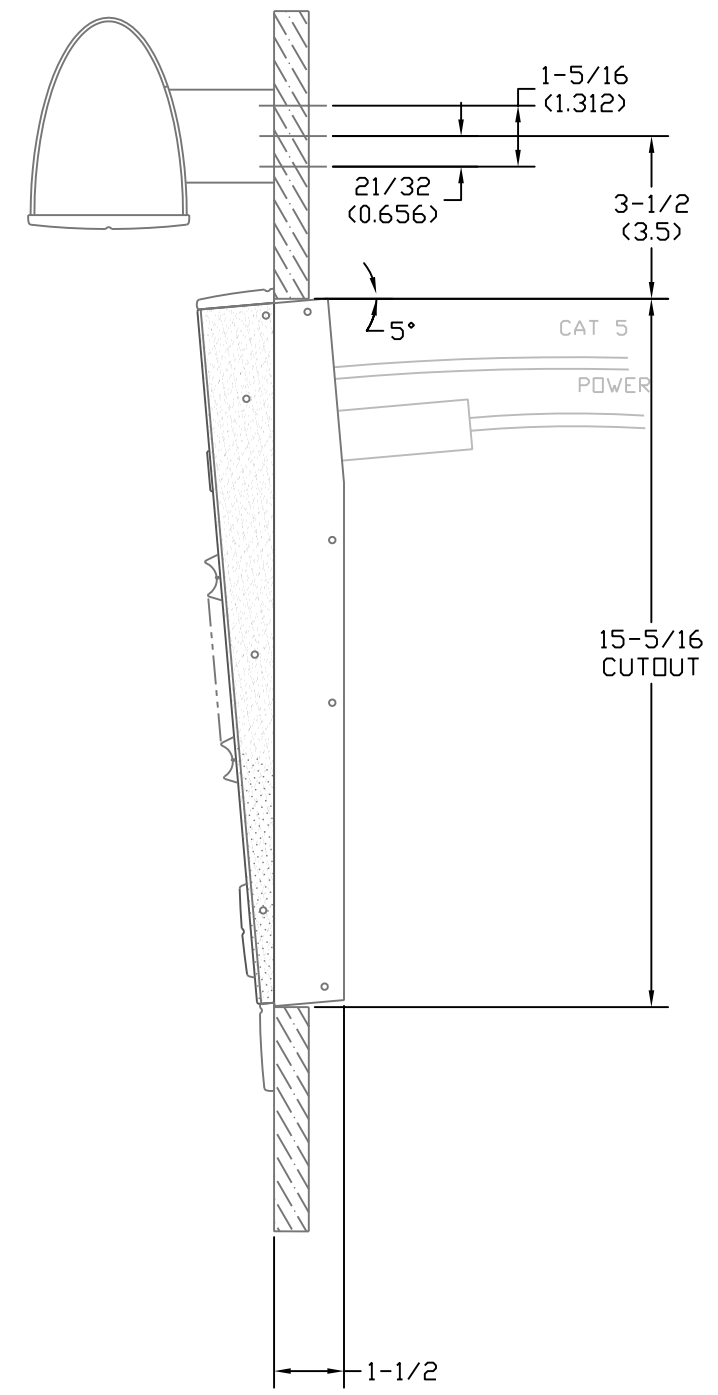
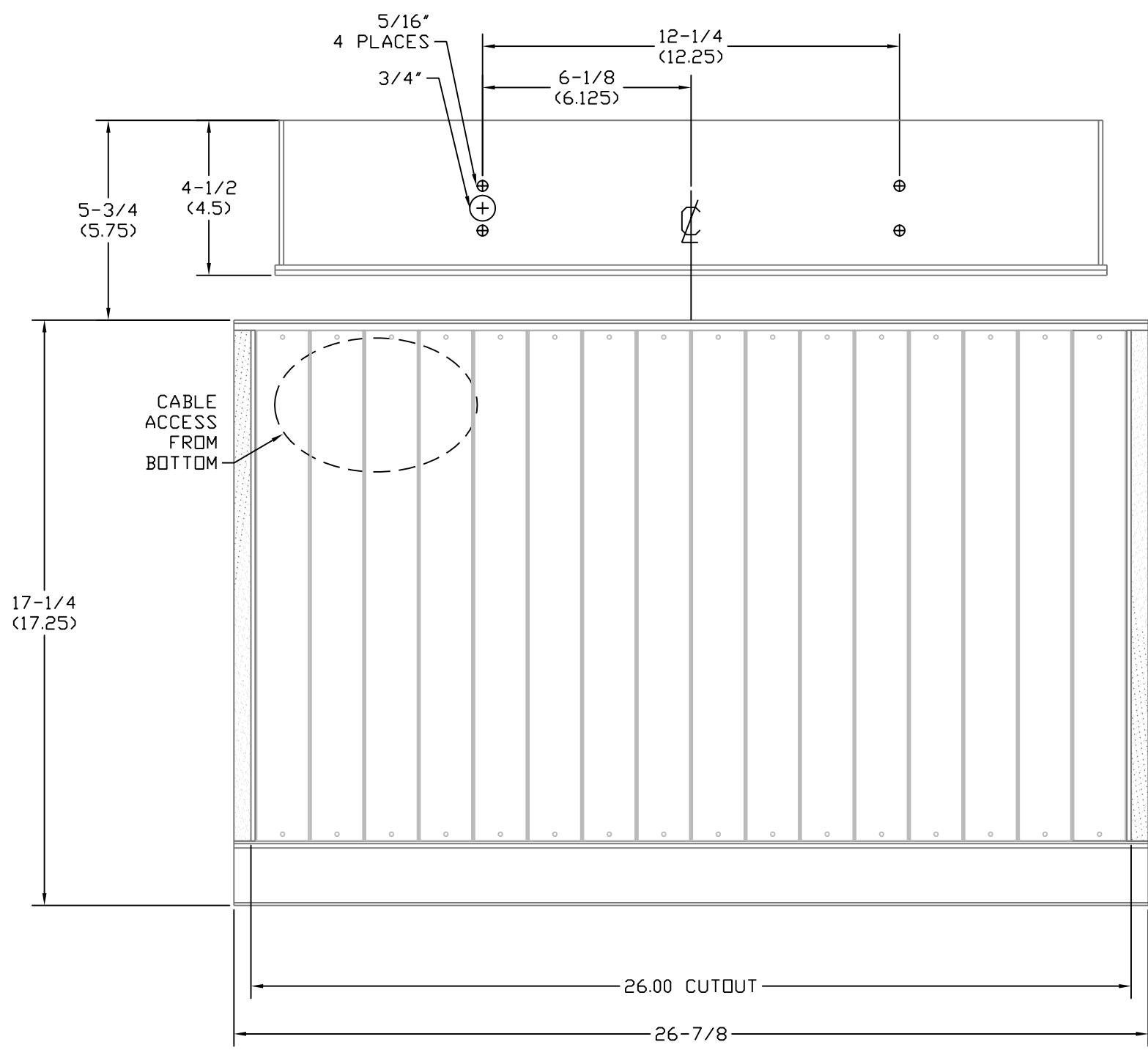


REVISIONS	
DATE	DESCRIPTION



NOTES:  
 1. CUTOUT DIMENSIONS ALLOW FOR VARIATIONS.  
 DO NOT INCREASE 15-5/16 DIM. USE 5° FOR THICK TOPS.  
 ENSURE OPENING IS SQUARE.

UNLESS OTHERWISE SPECIFIED DIMENSIONS ARE IN INCHES		
TOLERANCES:		
FRACTIONS ± 1/64	DECIMALS .XX = ±0.015 .XXX = ±0.005	ANGLES ± 2°
DRAWN	E OF	
CHECKED		
APPROVED		
DATE	07/05	

**SAS** Sierra Automated Systems

RUBICON SL OUTLINE DRAWING,  
 16 MODULE FRAME WITH 2 METER POD

SHEET 1 OF 1

DRSL1620L